

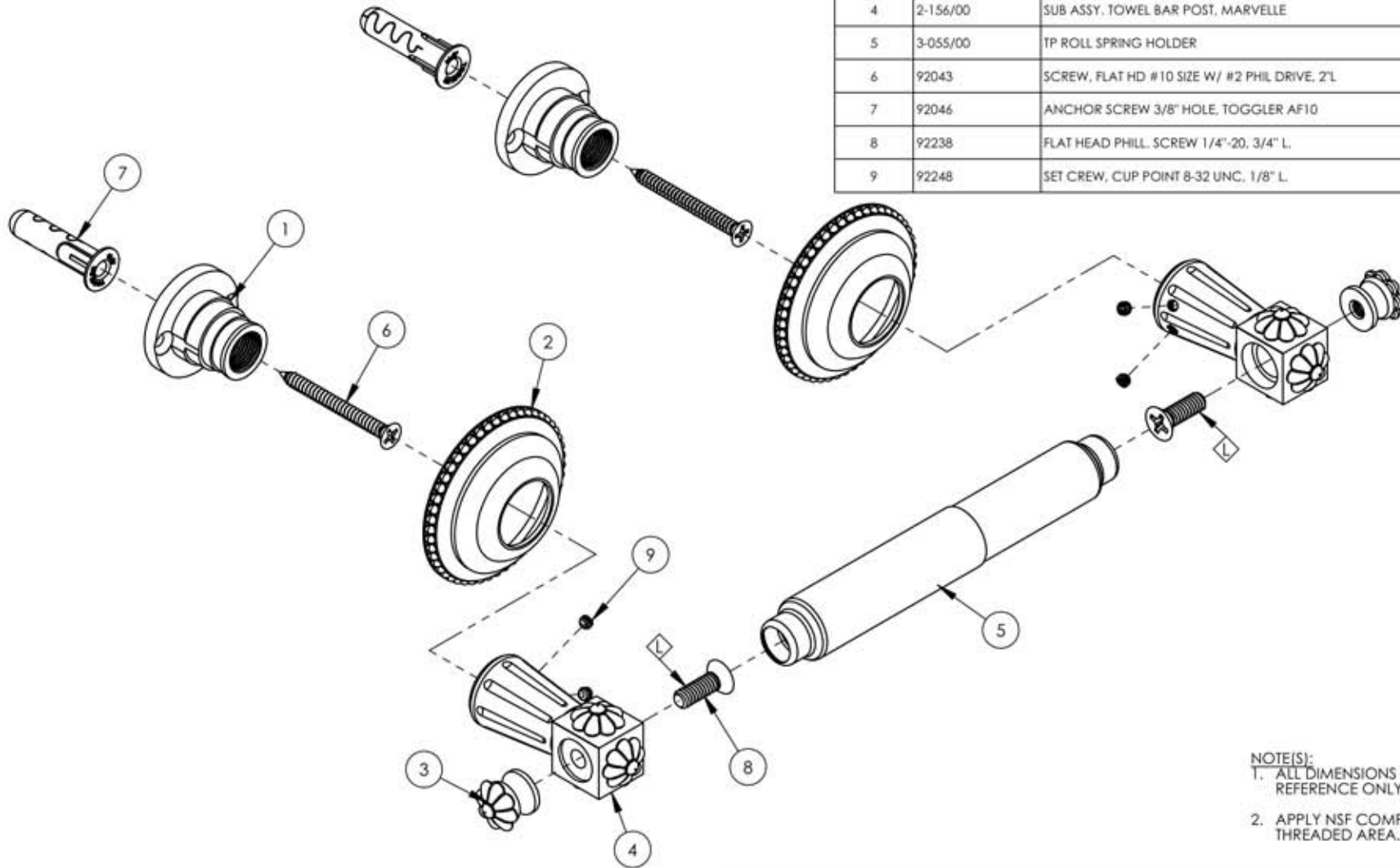
ITEM NO.	PART NUMBER	DESCRIPTION	QTY.
1	11050	MOUNTING KIT, WALL FLANGE	2
2	11267/00	ESCUTCHEON, ACCESSORIES, MARVELLE	2
3	2-112/00	SUB-ASSY. FINIAL EXTENSION BACK LEVER	2
4	2-156/00	SUB ASSY. TOWEL BAR POST, MARVELLE	2
5	3-055/00	TP ROLL SPRING HOLDER	1
6	92043	SCREW, FLAT HD #10 SIZE W/ #2 PHIL DRIVE, 2"L	2
7	92046	ANCHOR SCREW 3/8" HOLE, TOGGLER AF10	2
8	92238	FLAT HEAD PHILL. SCREW 1/4"-20, 3/4" L.	2
9	92248	SET CREW, CUP POINT 8-32 UNC, 1/8" L.	4

A

B

C

D



NOTE(S):  
1. ALL DIMENSIONS SHOWN ARE FOR REFERENCE ONLY

2. APPLY NSF COMPLIANT LOCTITE TO THREADED AREA. L

ALL	A	-ASSY. UPDATED WITH SUB ASSY'S	12/7/2015	GRE
ZONE	REV.	DESCRIPTION	DATE	APPROVED
REVISIONS				

1261 LOGAN AVENUE  
COSTA MESA, CALIFORNIA 92626  
PHONE: 714.361.4800  
FAX: 714.617.3120

# PHYLORICH®

Defining Luxury Since 1959

**PROPRIETARY AND CONFIDENTIAL**

THE INFORMATION CONTAINED IN THIS DRAWING IS THE SOLE PROPERTY OF R3S MANUFACTURING. ANY REPRODUCTION IN PART OR AS A WHOLE WITHOUT THE WRITTEN PERMISSION OF R3S MANUFACTURING IS PROHIBITED.

INTERPRET GEOMETRIC DIMENSIONING & TOLERANCING IN ACCORDANCE WITH ASME Y14.5-2009 & ASME Y14.41-2003 STANDARDS. UNLESS OTHERWISE SPECIFIED, DIMENSIONS ARE IN INCHES. TOLERANCES ARE:	FRACTIONS ±1/64"		DECIMALS X.X: ±.1 X.XX: ±.01 X.XXX: ±.005		ANGULAR ±.5°	
NEXT ASSY	USED ON		APPLICATION		MATERIAL	
FINISH		DRAWN	NAME	DATE	CHECKED	
DO NOT SCALE DRAWING		GRE	LL0	10/20/2015		

PAPER HOLDER, DOUBLE POST, MARVELLE SERIES

SIZE	ASM/PRT NO.	REV
A	162-73/00	A
SCALE: 1:2	WEIGHT: lbs.	SHEET 1 OF 2

5

4

3

2

1